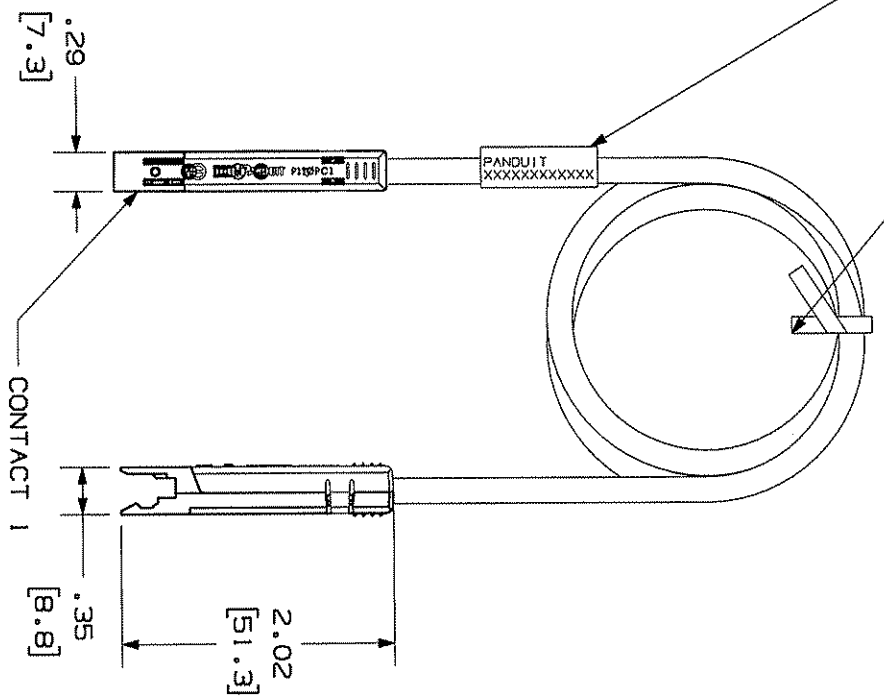


THIS COPY IS PROVIDED ON A RESTRICTED BASIS AND IS NOT TO BE USED IN ANY WAY DETRIMENTAL TO THE INTERESTS OF PANDUIT CORP.

CONTACT	CABLE WIRE COLOR
1	WHITE/BLUE
2	BLUE



- NOTES:
1. SEE CURRENT CATALOG FOR VARIOUS APPLICATIONS AND TO INDICATE PACKAGE QUANTITY. THE PATCH CORDS CAN BE USED WITH PAN-PATCH CONNECTING BLOCKS.
 2. USED WITH PAN-PATCH CONNECTING BLOCKS. PROPER WIRE SEQUENCE AND CONNECTIONS ARE REQUIRED TO SECURE THE JACKET AND CONNECTOR. A CLEAN TERMINATION WHICH MINIMIZES WIRE STRESS IS THE INTERGRAL STRAIN RELIEF MINIMIZES STRESS ON WIRES DURING DISCONNECTION.
 3. POLARIZED TO PREVENT REVERSE INSTALLATION TO CONNECTOR BLOCK.
 4. CATEGORY 3 UNSHIELDED TWISTED PAIR CABLE WITH 24AWG STRANDED TINNED COPPER CONDUCTOR.
 5. DIMENSIONS IN PARENTHESES ARE IN METRIC.

PANDUIT P/N	MIN. CABLE LENGTH	WEIGHT
P110PC1162Y	2 FT.	.24 LB/10 PCS (112.1 g/10 PCS)
P110PC1163Y	3 FT.	.31 LB/10 PCS (144.5 g/10 PCS)
P110PC1164Y	4 FT.	.38 LB/10 PCS (176.9 g/10 PCS)
P110PC1165Y	5 FT.	.45 LB/10 PCS (209.3 g/10 PCS)
P110PC1166Y	6 FT.	.52 LB/10 PCS (241.7 g/10 PCS)
P110PC1167Y	7 FT.	.59 LB/10 PCS (274.1 g/10 PCS)
P110PC1168Y	8 FT.	.66 LB/10 PCS (306.5 g/10 PCS)
P110PC1169Y	9 FT.	.73 LB/10 PCS (338.9 g/10 PCS)
P110PC11612Y	12 FT.	.93 LB/10 PCS (430.1 g/10 PCS)
P110PC11615Y	15 FT.	1.15 LB/10 PCS (533.3 g/10 PCS)
P110PC11618Y	18 FT.	1.38 LB/10 PCS (630.5 g/10 PCS)
P110PC11619Y	19 FT.	1.48 LB/10 PCS (685.1 g/10 PCS)
P110PC11620Y	20 FT.	1.58 LB/10 PCS (730.5 g/10 PCS)
P110PC11621Y	21 FT.	1.68 LB/10 PCS (775.9 g/10 PCS)
P110PC11622Y	22 FT.	1.78 LB/10 PCS (821.3 g/10 PCS)
P110PC11623Y	23 FT.	1.88 LB/10 PCS (866.7 g/10 PCS)
P110PC11624Y	24 FT.	1.98 LB/10 PCS (912.1 g/10 PCS)
P110PC11625Y	25 FT.	2.08 LB/10 PCS (957.5 g/10 PCS)
P110PC11626Y	26 FT.	2.18 LB/10 PCS (1002.9 g/10 PCS)
P110PC11627Y	27 FT.	2.28 LB/10 PCS (1048.3 g/10 PCS)
P110PC11628Y	28 FT.	2.38 LB/10 PCS (1093.7 g/10 PCS)
P110PC11629Y	29 FT.	2.48 LB/10 PCS (1139.1 g/10 PCS)
P110PC11630Y	30 FT.	2.58 LB/10 PCS (1184.5 g/10 PCS)
P110PC11631Y	31 FT.	2.68 LB/10 PCS (1229.9 g/10 PCS)
P110PC11632Y	32 FT.	2.78 LB/10 PCS (1275.3 g/10 PCS)
P110PC11633Y	33 FT.	2.88 LB/10 PCS (1320.7 g/10 PCS)
P110PC11634Y	34 FT.	2.98 LB/10 PCS (1366.1 g/10 PCS)
P110PC11635Y	35 FT.	3.08 LB/10 PCS (1411.5 g/10 PCS)
P110PC11636Y	36 FT.	3.18 LB/10 PCS (1456.9 g/10 PCS)
P110PC11637Y	37 FT.	3.28 LB/10 PCS (1502.3 g/10 PCS)
P110PC11638Y	38 FT.	3.38 LB/10 PCS (1547.7 g/10 PCS)
P110PC11639Y	39 FT.	3.48 LB/10 PCS (1593.1 g/10 PCS)
P110PC11640Y	40 FT.	3.58 LB/10 PCS (1638.5 g/10 PCS)
P110PC11641Y	41 FT.	3.68 LB/10 PCS (1683.9 g/10 PCS)
P110PC11642Y	42 FT.	3.78 LB/10 PCS (1729.3 g/10 PCS)
P110PC11643Y	43 FT.	3.88 LB/10 PCS (1774.7 g/10 PCS)
P110PC11644Y	44 FT.	3.98 LB/10 PCS (1820.1 g/10 PCS)
P110PC11645Y	45 FT.	4.08 LB/10 PCS (1865.5 g/10 PCS)
P110PC11646Y	46 FT.	4.18 LB/10 PCS (1910.9 g/10 PCS)
P110PC11647Y	47 FT.	4.28 LB/10 PCS (1956.3 g/10 PCS)
P110PC11648Y	48 FT.	4.38 LB/10 PCS (2001.7 g/10 PCS)
P110PC11649Y	49 FT.	4.48 LB/10 PCS (2047.1 g/10 PCS)
P110PC11650Y	50 FT.	4.58 LB/10 PCS (2092.5 g/10 PCS)

DRAWING FILENAME: M02479J0_DC253_00A_PRT

TITLE: CATEGORY 3 110 PATCHCORD CUSTOMER DRAWING

SIZE: A

PANDUIT R
CORP.
TINLEY PARK, IL 60477

ALL DIMENSIONS ARE GIVEN IN INCHES, UNLESS OTHERWISE SPECIFIED.
DIMENSIONAL TOLERANCES ARE:
1.X1 ± .031(.8) 1.XXX ± .010(.3)
1.XX ± .010(.3) ANGLES ±

REVIEW DRAWING NUMBERS

DATE	3-17-06
DRAWN BY	NER
PRODUCT SPEC	
WORK INSTRUCTION	
SCALE	NONE
PART NO.	P110PC1***Y

REV	DATE	BY	CHK	DESCRIPTION	ECN	R	CUST	SUP	OTH
R	3-17-06	NER	NER	RELEASED TO PRODUCTION.	02479-253				

DRAWING NO. 02479-253